

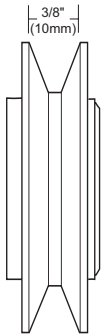
CLUTCHES

QUICK - REFERENCE GUIDE

ITEM	DETAILS	PAGE
CLUTCH IDENTIFICATION	- BASIC TYPES	14
CLUTCH MEASUREMENT	- PULLEY GROOVE, PULLEY DIAMETER	14
	- MOUNTING DISTANCE (GAUGE-LINE)	14
CLUTCH ASSEMBLIES	- BOSCH	15
	- DELCO (HARRISON)	15
	- DELPHI	15
	- DIESEL - KIKI (ZEXEL)	15
	- FORD	24
	- MATSUSHITA (PANASONIC)	16
	- NIPPON DENSO	16
	- PANASONIC (MATSUSHITA)	16
	- SANDEN	16 - 22
	- SEIKO-SEIKI	23
	- TAMA	23
	- UNICLA	23
	- YORK - TECUMSEH	24 - 25
CLUTCH PARTS	- QUICK - REFERENCE GUIDE	26
	- PARTS IDENTIFICATION	26
	- ILLUSTRATED PARTS LISTING	27 - 31

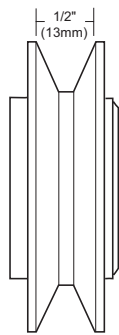
Clutch Identification and Measurement

Clutch Identification / Measurement Guide



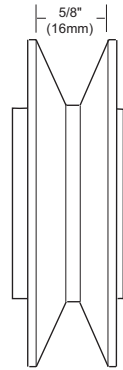
3/8" SECTION

3/8" (10mm) AT TOP OF GROOVE.
(USE 10A SERIES DRIVE BELTS)



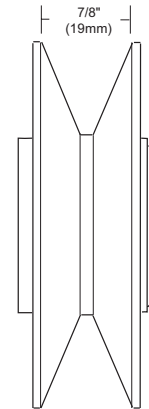
'A' SECTION

1/2" (13mm) AT TOP OF GROOVE.
(USE 'A' OR 13A BELTS)



'B' SECTION

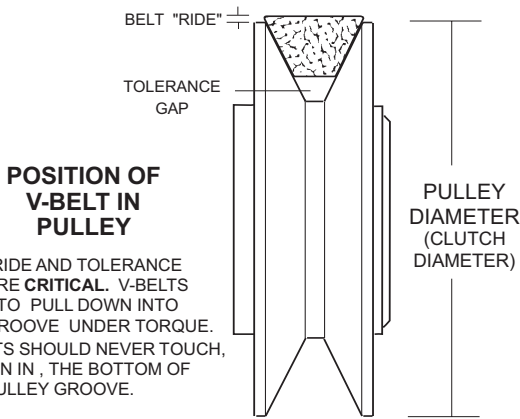
5/8" (16mm) AT TOP OF GROOVE.
(USE 'B' OR 15A SERIES BELTS)



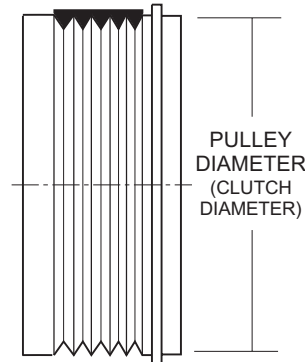
'C' SECTION

7/8" (19mm) AT TOP OF GROOVE.
(USE 'C' OR 20A SERIES BELTS)

NOTE: SANDEN 'C' SECTION TAKES A, B OR C SECTION BELTS



BELT RIDE AND TOLERANCE GAP ARE **CRITICAL**. V-BELTS TEND TO PULL DOWN INTO THE GROOVE UNDER TORQUE. V-BELTS SHOULD NEVER TOUCH, OR RUN IN, THE BOTTOM OF THE PULLEY GROOVE.



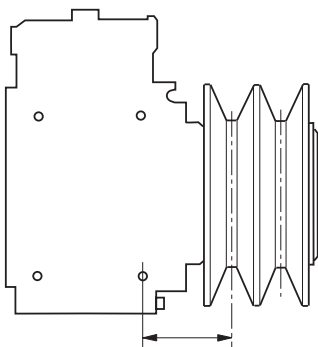
CLUTCH MEASUREMENT STANDARD A, B, AND C SECTION CLUTCHES

- A - SECTION: 1/2" (13mm) TOP GROOVE WIDTH
- B - SECTION: 5/8" (16mm) TOP GROOVE WIDTH
- C - SECTION: 7/8" (19mm) TOP GROOVE WIDTH

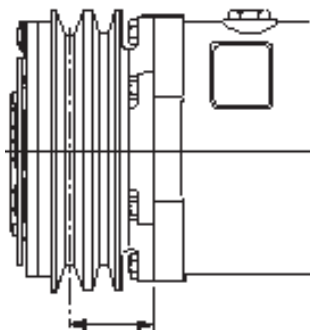
CLUTCH MEASUREMENT POLY-RIB CLUTCHES

POLY-RIB CLUTCHES ALL HAVE SIMILAR GROOVES; ONLY THE NUMBER OF GROOVES VARIES. POLY-RIB CLUTCHES ARE ALSO KNOWN AS POLY-GROOVE.

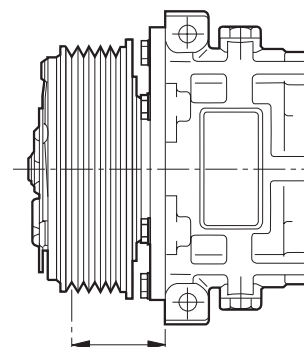
Clutch Measurement: Mounting Distance



CLUTCH MOUNTING DISTANCE (GAUGE-LINE) YORK AND TECUMSEH COMPRESSORS



CLUTCH MOUNTING DISTANCE (GAUGE-LINE) SANDEN COMPRESSORS WITH STANDARD CLUTCHES



CLUTCH MOUNTING DISTANCE (GAUGE-LINE) SANDEN COMPRESSORS WITH POLY-RIB CLUTCHES

NOTE: IT IS ESSENTIAL TO CHECK THE CLUTCH MOUNTING DISTANCE BEFORE SELECTING A SUITABLE CLUTCH AND/OR COMPRESSOR. THIS IS PARTICULARLY CRITICAL WITH YORK AND TECUMSEH COMPRESSORS AS THERE ARE SO MANY CLUTCH VARIATIONS AVAILABLE. SOME CLUTCHES OF THE SAME SECTION LOOK SIMILAR, BUT MAY HAVE QUITE A DIFFERENT ALIGNMENT WHEN ACTUALLY MOUNTED TO THE COMPRESSOR.

Clutches: Complete Assemblies

BOSCH

BOSCH CLUTCH IDENTIFICATION

REFER TO THE COMPRESSOR APPLICATION LIST SET OUT ON PAGES 46 TO 100, FIND THE CORRECT UNIT, THEN ASK OUR SALES DEPARTMENT FOR THE CLUTCH TO SUIT.

DELCO (GM)



CL-15222



**6" (147mm)
CL-15412**



**7" (178mm)
CL-15524**



CL-10122



**CL-10125
CL-15922**



CL-14238

PART No.	PULLEY TYPE	O.D. mm - ins	VOLTS	NEW/ RECON	COMPRESSOR TYPE	APPLICATION AND OTHER INFORMATION
CL-14238	2 x 3/8"	127 - 5"	N - A	RECON	DELCO A6	SOME JAGUAR; SOME ROLLS ROYCE
CL-15222	1 x A	127 - 5"	N - A	RECON	DELCO A6	HOLDEN, COMMODORE, STATESMAN WITH HARRISON
CL-10122	6 - V	140 - 5.5"	24v	NEW	DELCO A6	SOME OFF-ROAD MACHINERY
CL-15412	1 x A	147 - 6"	N - A	RECON	DELCO A6	JOHN DEERE
CL-15524	1 x A	178 - 7"	N - A	RECON	DELCO A6	CATERPILLAR
CL-10125	1 x A	127 - 5"	12v	NEW	DELCO R4	CAMIRA, ROVER, VOLVO WITH R4 COMPRESSORS
CL-15922	1 x A	127 - 5"	N - A	RECON	DELCO R4	USE CL-10125

NOTES: 1. CLUTCH MEASUREMENTS ARE NOMINAL AND MAY VARY SLIGHTLY.
2. NEW CLUTCHES ARE COMPLETE WITH COIL; RECONDITIONED CLUTCHES DO NOT INCLUDE THE COIL.

DELPHI



CL-10131
Commodore VT, VX, VY 6 CYL.



CL-10133
Commodore VT, VX 5.7L V8
(does not suit 5 litre V8)

PART No.	PULLEY GROOVES	O.D. (mm)	VOLTS	COMPRESSOR MODEL
CL-10131	6 - V	146 mm	12	DELPHI V5
CL-10133	4 - V	146 mm	12	DELPHI V5

DIESEL-KIKI



PART No.	PULLEY GROOVES	O.D. (mm)	VOLTS	COMPRESSOR MODEL
CL-10142	2 - A	132	12	DKS12; DKS15

NOTE: FITS SPLINED SHAFT COMPRESSORS ONLY ©

Clutches: Complete Assemblies**NIPPON - DENSO****New****CL-10194**

A Section, 12 volt 143 mm
 Universal, including: Hilux LN106, 130, 167

CL-10200

A Section, 12 volt 137 mm
 Universal, including: Landcruiser HZJ75, 79, 80

TYPICAL
A-SECTION**Reconditioned**TYPICAL
POLY-GROOVE**NIPPON DENSO CLUTCH IDENTIFICATION**

REFER TO THE COMPRESSOR APPLICATION LIST SET OUT ON PAGES 46 to 100,
 FIND THE CORRECT UNIT, THEN ASK OUR SALES DEPARTMENT FOR THE CLUTCH
 TO SUIT.

PANASONIC / MATSUSHITA**PANASONIC CLUTCH IDENTIFICATION**

REFER TO THE COMPRESSOR APPLICATION LIST SET OUT ON PAGES 46 to 100,
 FIND THE CORRECT UNIT, THEN ASK OUR SALES DEPARTMENT FOR THE CLUTCH
 TO SUIT.

SANDEN**SD505 and SD5H09 Series****'2A' - SECTION****CL-10282**

Diameter: 125 mm
 Voltage: 12 volt
 Suits Models: 5022, 5072, 9056

**POLY-GROOVE****CL-10286**

Diameter: 127 mm
 Section: 4 groove
 Voltage: 12 volt
 Suits Models: 5029, 5075

Clutches: Complete Assemblies

SANDEN

SD507 Series



'2A' - SECTION

CL-10300

Diameter: 125 mm
Voltage: 12 volt
Suits Models: 5133, 9173



POLY-GROOVE

CL-10290

Diameter: 120 mm
Section: 10 groove
Voltage: 12 volt
Suits Models: 5134, 9175, 9225

SANDEN

SD508, SD510, SD5H14



'2A' - SECTION

CL-10315

Diameter: 132 mm
Voltage: 12 volt
Suits Models: 6626, 8390, 9040
9103, 9104

CL-10350

Diameter: 132 mm
Voltage: 24 volt
Suits Models: 5413, 8399, 9106,
9905



'B' - SECTION

CL-10320

Diameter: 152 mm
Voltage: 12 volt
Suits Models: 5460, 8385, 9112

CL-10366

Diameter: 152 mm
Voltage: 24 volt
Suits Models: 5412, 8392, 9121



'2A' - SECTION

CL-10330

Diameter: 152 mm
Voltage: 12 volt
Suits Models: 8387, 9113



POLY-GROOVE

CL-10310

Diameter: 125 mm
Section: 10 groove
Voltage: 12 volt
Suits Models: 9513



'C' - SECTION

(takes A, B or C section belt)

CL-10372

Diameter: 158 mm
Voltage: 12 volt
Suits Models: 9119

CL-10384

Diameter: 158 mm
Voltage: 24 volt
Suits Models: 9122

Clutches: Complete Assemblies**SANDEN****SD7H13**

NOTE: SD7H13 and SD7H15 compressors may have keyed or splined shafts. The following guide may be helpful: Compressor models beginning with 7 (e.g. 7863) have keyed shafts. Compressor models beginning with 8 (e.g. 8031) have splined shafts.



Splined Shaft

**'2A' - SECTION
CL-10543**

Diameter: 125 mm
Voltage: 12 volt
Shaft Type: Splined Shaft
Suits Models: 8908



Keyed Shaft

**'2A' - SECTION
CL-10545**

Diameter: 125 mm
Voltage: 12 volt
Shaft Type: Keyed Shaft
Suits Models: 7312

CL-10547

Diameter: 125 mm
Voltage: 24 volt
Shaft Type: Keyed Shaft
Suits Models: A904 (early)



Keyed Shaft

POLY-GROOVE (10PV)**CL-10549**

Diameter: 120 mm
Section: 10 groove
Voltage: 12 volt
Shaft Type: Keyed Shaft
Suits Models: 7317



Splined Shaft

POLY-GROOVE (10PV)**CL-10551**

Diameter: 120 mm
Section: 10 groove
Voltage: 12 volt
Shaft Type: Splined Shaft
Suits Models: 8909

SANDEN**SD7H15**

NOTE: SD7H13 and SD7H15 compressors may have keyed or splined shafts. The following guide may be helpful: Compressor models beginning with 7 (e.g. 7863) have keyed shafts. Compressor models beginning with 8 (e.g. 8031) have splined shafts.



Keyed Shaft

'2A' - SECTION**CL-10593**

Diameter: 132 mm
Voltage: 12 volt
Shaft Type: Keyed Shaft
Suits Models: 7863

CL-10612

Diameter: 132 mm
Voltage: 24 volt
Shaft Type: Keyed Shaft
Suits Models: 7888, 7933



Splined Shaft

**'2A' - SECTION
With Rubber Damper****CL-10812**

Diameter: 132 mm
Voltage: 12 volt
Shaft Type: Splined Shaft
Suits Models: 8031, 8033

CL-10816

Diameter: 132 mm
Voltage: 24 volt
Shaft Type: Splined Shaft
Suits Models: 8036, 8042

Clutches: Complete Assemblies

SANDEN

SD7H15 cont'd.

NOTE: SD7H13 and SD7H15 compressors may have keyed or splined shafts. The following guide may be helpful:
Compressor models beginning with 7 (e.g. 7863) have keyed shafts.
Compressor models beginning with 8 (e.g. 8031) have splined shafts.

**'2A' - SECTION****CL-10801**

Diameter: 125 mm
Voltage: 12 volt
Shaft Type: Splined Shaft
Suits Models: 8038

CL-10830

Diameter: 140 mm
Shaft Type: Splined Shaft
Voltage: 12 volt
Suits Models: 8040

**'B' - SECTION****CL-10640**

Diameter: 146 mm
Voltage: 12 volt
Shaft Type: Keyed Shaft
Suits Models: 7979

CL-10651

Diameter: 146 mm
Shaft Type: Keyed Shaft
Voltage: 24 volt
Suits Models: 7887

**'B' - SECTION****With Rubber Damper****CL-10847**

Diameter: 146mm
Voltage: 12 volt
Shaft Type: Splined Shaft
Suits Models: 8041

CL-10852

Diameter: 146 mm
Shaft Type: Splined Shaft
Voltage: 24 volt
Suits Models: 8034

**'C' - SECTION****CL-10676**

Diameter: 153mm
Voltage: 12 volt
Shaft Type: Keyed Shaft
Suits Models: 7950

CL-10687

Diameter: 153mm
Voltage: 24 volt
Shaft Type: Keyed Shaft
Suits Models: 7947

**'C' - SECTION**
With Rubber Damper**CL-10870**

Diameter: 153 mm
Voltage: 12 volt
Shaft Type: Splined shaft
Suits Models: 8039

CL-10875

Diameter: 153 mm
Voltage: 24 volt
Shaft Type: Splined Shaft
Suits Models: 8037

**POLY-GROOVE (6PV)****CL-10710**

Diameter: 119 mm
Section: 6 groove
Voltage: 12 volt
Shaft Type: Keyed Shaft
Suits Models: 7865

NOTE:
Pictured with rubber damper; standard shoe is supplied.

**POLY-GROOVE (6PV)****CL-10893**

Diameter: 119 mm
Section: 6 groove
Voltage: 12 volt
Shaft Type: Splined Shaft
Suits Models: 8032

Clutches: Complete Assemblies**SANDEN****SD7H15 cont'd.**

NOTE: SD7H13 and SD7H15 compressors may have keyed or splined shafts. The following guide may be helpful:
Compressor models beginning with 7 (e.g. 7863) have keyed shafts.
Compressor models beginning with 8 (e.g. 8031) have splined shafts.



**POLY-GROOVE (10PV)
With Rubber Damper**

CL-10925

Diameter: 125 mm
Section: 10 groove
Voltage: 12 volt
Shaft Type: Splined Shaft
Suits Models: 8035



POLY-GROOVE (10PV)

CL-10739

Diameter: 125 mm
Section: 10 groove
Voltage: 12 volt
Shaft Type: Keyed Shaft
Suits Models: 7931

NOTE: CL-10739 is pictured with rubber damper; standard shoe is supplied

SANDEN**SDB705**

POLY-GROOVE (4PV)

CL-10979

Diameter: 96 mm
Section: 4 groove
Voltage: 12 volt
Suits Models: 7075

Note: can use CL-10984

POLY-GROOVE (5PV)

CL-10984

Diameter: 96 mm
Section: 5 groove
Voltage: 12 volt
Suits Models: 7073

**SANDEN****SD7B10**

POLY-GROOVE (4PV)

CL-11136

Diameter: 100 mm
Section: 4 groove
Voltage: 12 volt
Suits Models: 7151

POLY-GROOVE (6PV)

CL-11157

Diameter: 112 mm
Section: 6 groove
Voltage: 12 volt
Suits Models: A925



Clutches: Complete Assemblies

SANDEN

TR70 Series



**'1A' - SECTION
CL-10402**

Diameter 96 mm
Voltage: 12 volt
Suits Models: 9792
Application: Commodore VK, VL

TR90 Series



**'1A' - SECTION
CL-10409**

Diameter 92 mm
Voltage: 12 volt
Suits Models: 9861
Application: Falcon XF

SANDEN

TRS90 Series



CL-10445



CL-10450



CL-10452



CL-10454

'A' - SECTION

PART No.	PULLEY TYPE	O.D. (mm)	VOLTS	COMPRESSOR SERIES - MODEL - PART No.	OTHER INFORMATION
CL-10445	1 x A	115	12	TRS090 3001	CO-58670
CL-10450	1 x A	92	12	TRS090 3013	CO-58690
CL-10452	2 x A	115	12	TRS090 3012	CO-58715
CL-10454	2 x A	111	12	TRS090 3017	CO-58722



CL-10462



CL-10464, CL-10467



CL-10470



CL-10474

POLY-GROOVE

PART No.	PULLEY TYPE	O.D. (mm)	VOLTS	COMPRESSOR SERIES - MODEL - PART No.	OTHER INFORMATION
CL-10462	5 groove	95	12	TRS090 3020	CO-58814
CL-10464	5 groove	100	12	TRS090 3015	CO-58782
CL-10465	5 groove	100	12	TRS090 3021	CO-58730 (USE CL-10464)
CL-10467	5 groove	100	12	TRS090 3011	CO-58810
CL-10470	5 groove	119	12	TRS090 3014	CO-58754
CL-10474	6 groove	112	12	TRS090 3016	CO-58825

Clutches: Complete Assemblies

SANDEN

TRF105, TRS105, TRV105 Series


'1A' - SECTION
CL-10424

Diameter 92 mm
 Voltage: 12 volt
 Suits Models: 2216, 2219, 3203
 Application: Commodore VN, VS V8


POLY-GROOVE (5PV)
CL-10410

Diameter 95 mm
 Section: 5 groove
 Voltage: 12 volt
 Shaft Type: Keyed Shaft (bolt type)
 Suits Models: 2200
 Application: Falcon EA 6 cyl.

Note: For models with splined shaft use CL-10411


POLY-GROOVE (5PV)
CL-10411

Diameter 95 mm
 Section: 5 groove
 Voltage: 12 volt
 Shaft Type: Splined Shaft (nut type)
 Suits Models: 2000
 Application: Falcon EA 6 cyl.

CL-10490

Diameter 95 mm
 Section: 5 groove
 Voltage: 12 volt
 Shaft Type: Splined Shaft (nut type)
 Suits Models: 3301
 Application: Falcon EB, ED 6 cyl.


POLY-GROOVE (6PV)
CL-10413

Diameter 95 mm
 Section: 6 groove
 Voltage: 12 volt
 Shaft Type: Splined Shaft
 Suits Models: 3303, 3305
 Application: Falcon EF, EL 6 cyl.


POLY-GROOVE (6PV)
CL-10419

Diameter 103 mm
 Section: 6 groove
 Voltage: 12 volt
 Shaft Type: Splined Shaft (nut type)
 Suits Models: 2221
 Application: Commodore VN V6

Note: For models with keyed shaft use CL-10422

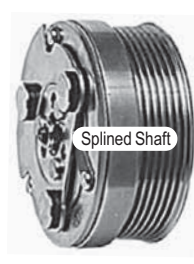

POLY-GROOVE (6PV)
CL-10422

Diameter 103mm
 Section: 6 groove
 Voltage: 12 volt
 Shaft Type: Keyed Shaft (bolt type)
 Suits Models: 2204
 Application: Commodore VN V6

Note: For models with splined shaft use CL-10419


POLY-GROOVE (6PV)
CL-10426

Diameter 103 mm
 Section: 6 groove
 Voltage: 12 volt
 Shaft Type: Splined Shaft
 Suits Models: 3202, 3207
 Application: Commodore VR, VS V6


POLY-GROOVE (6PV)
CL-10500

Diameter 103 mm
 Section: 6 groove
 Voltage: 12 volt
 Shaft Type: Splined Shaft
 Suits Models: 2212, 3304, 3550
 Application: Falcon EB, ED, EF, EL V8

Clutches: Complete Assemblies

SEIKO - SEIKI



CL-11362
CL-11372



CL-11392

PART No.	PULLEY TYPE	O.D. (mm)	VOLTS	COMPRESSOR TYPE	OTHER INFORMATION
CL-11362	2 x A	118	12	SEIKO 110, 140, 170, 99DS4, 121DS4	MOST WITH 118 mm A-SECTION CLUTCH
CL-11372	2 x A	135	12	SEIKO 110, 140, 170, 99DS4, 121DS4	MOST WITH 135 mm A-SECTION CLUTCH
CL-11392	10 - V	125	12	SEIKO 110, 140, 170, 99DS4, 121DS4	MOST WITH 125 mm POLY-RIB CLUTCH

TAMA



NOTE:

THE TAMA TM SERIES REPLACES THE DIESEL-KIKI/ZEXEL DKS SERIES. TAMA TM SERIES CLUTCHES DO NOT INTERCHANGE WITH THE EARLIER DIESEL-KIKI DKS SERIES.

PULLEY TYPE	O.D. (mm)	VOLTS	COMPRESSOR TYPE	OTHER INFORMATION
2 x A	134	12	TM-13A, TM-14A	FITS CO-21150 AND CO-21153 COMPRESSORS

NOTE: Tama clutches are available on request for most popular models. When ordering, please ensure that all relevant vehicle, compressor and clutch details are given to enable us to procure the correct clutch.

UNICLA



DA299
2A Section, 134mm



UPS107, UPS109
2A Section, 125mm



UPS107, UPS109
10-V Section, 125mm



UPS107, UPS109
1A Section, 125mm

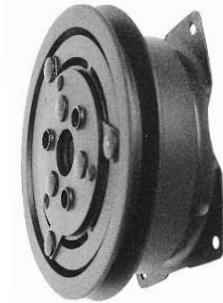
PULLEY TYPE	O.D. (mm)	VOLTS	COMPRESSOR TYPE	OTHER DETAILS AND INFORMATION
2 x A	134	12	DA299 UPRIGHT	SOME EARLY AFTERMARKET - NOW OSOLETE (NLA)
1 x A	134	12	DA299 UPRIGHT	SOME EARLY AFTERMARKET - NOW OSOLETE (NLA)
2 x A	125	12	UPS107, UPS109	STANDARD UNICLA UPS SERIES A-SECTION CLUTCH
10 - V	125	12	UPS107, UPS109	STANDARD UNICLA UPS SERIES POLYGROOVE CLUTCH
1 x A	125	12	UPS107, UPS109	UNICLA UPS SERIES A-SECTION OFF-SET CLUTCH

NOTE: ALL UNICLA UPS-107 AND UPS-109 CLUTCHES INTERCHANGE

NOTE: Unicla clutches are available on request for most popular models. When ordering, please ensure that all relevant vehicle, compressor and clutch details are given to enable us to procure the correct clutch.

Clutches: Complete Assemblies**YORK - TECUMSEH****FORD VEHICLES**

CL-16185

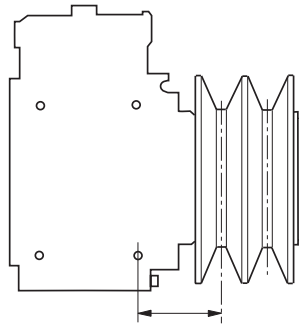


CL-16188



CL-16195

PART No.	PULLEY TYPE	O.D. mm - ins	VOLTS	NEW - RECON	COMPRESSOR TYPE	OTHER INFORMATION
CL-16185	2 x 3/8"	152 - 6"	N-A	RECON	YORK	FALCON XD - XE 6 cyl with YORK
CL-16188	1 x A	152 - 6"	N-A	RECON	YORK	FALCON XD - XE 8 cyl with YORK (standard clutch)
CL-16195	1 x A	152 - 6"	N-A	RECON	YORK	FALCON XD - XE 8 cyl with YORK (flywheel clutch) (CL-16195 is NLA; closest alternative is CL-16188)

OGURAOGURA A-SECTION
(CL-11612 ILLUSTRATED)**CLUTCH MOUNTING DISTANCE
(GAUGE-LINE)
YORK AND TECUMSEH
COMPRESSORS**OGURA B-SECTION
(CL-11662 ILLUSTRATED)

PART No.	PULLEY TYPE	O.D. mm - ins	VOLTS	MODEL	MOUNTING DISTANCE	OTHER INFORMATION/APPLICATION
CL-11612	2 x A	152 - 6"	12	OGURA - MA6A	43 mm	THE OGURA CLUTCHES LISTED ARE USED ON YORK AND TECUMSEH COMPRESSORS, AND ON SOME OTHER UPRIGHT PISTON COMPRESSORS SUCH AS FEMSA.
CL-11624	2 x A	152 - 6"	24	OGURA - MA6A	43 mm	
CL-11662	1 x B	152 - 6"	12	OGURA - MA6B	56 mm	
CL-11664	1 x B	152 - 6"	24	OGURA - MA6B	56 mm	THEY FIT THE STANDARD AND HEAVY DUTY YORK 206, 209, AND 210 MODELS, AND THE TECUMSEH HG850, HG1000, AND HGB1000.
CL-11712	2 x A	178 - 7"	12	OGURA - MA7A	43 mm	
CL-11724	2 x A	178 - 7"	24	OGURA - MA7A	43 mm	
CL-11762	1 x B	178 - 7"	12	OGURA - MA7B	56 mm	
CL-11764	1 x B	178 - 7"	24	OGURA - MA7B	56 mm	

NOTES:

1. CLUTCH MEASUREMENTS ARE NOMINAL AND MAY VARY SLIGHTLY.
2. NEW CLUTCHES ARE COMPLETE WITH COIL; RECONDITIONED CLUTCHES MAY NOT INCLUDE THE COIL.
3. THERE ARE MANY VARIATIONS OF ENGINES AND ACCESSORIES ON TRUCKS AND OFF-ROAD EQUIPMENT, AND THE LIST ABOVE SHOULD BE CONSIDERED AS A GUIDE ONLY. CHECK ALL DIMENSIONS, INCLUDING MOUNTING DISTANCE (GAUGE-LINE) BEFORE ORDERING.

Clutches: Complete Assemblies

YORK - TECUMSEH

WARNER HEAVY DUTY



WARNER A section
(CL-13664 illustrated)



WARNER 2 x A section
(CL-13642 illustrated)



WARNER B section
(CL-13764 illustrated)



WARNER C section
(CL-13892 illustrated)



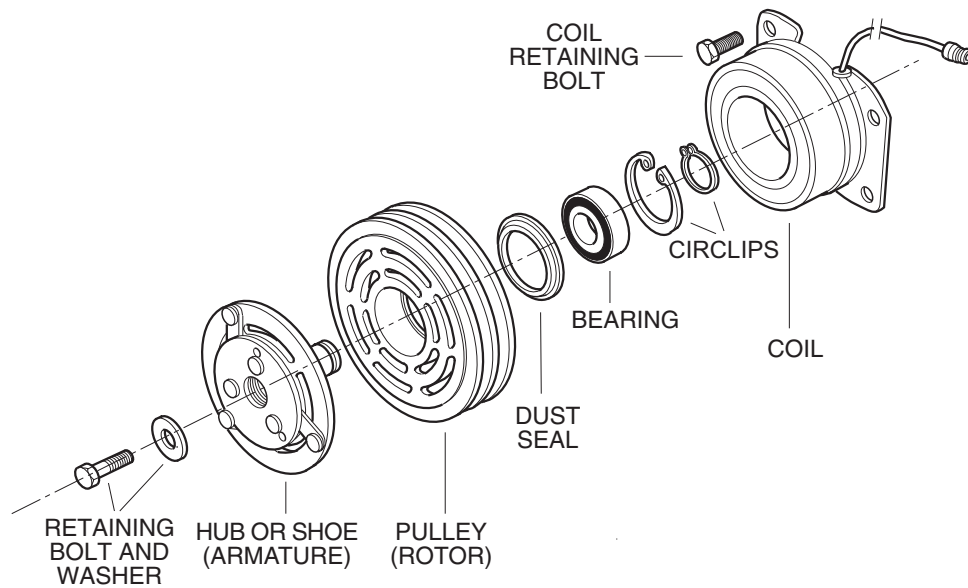
WARNER 5V section
(CL-13504 illustrated)

Part No.	Pulley Type	O.D. mm - ins	Volts	Model No.	Mounting Distance	Other Information / Vehicle Application
CL-13502	5 - V	152 - 6"	12	POLYRIB	66 mm	SOME OFF-ROAD WITH DETROIT AND TECUMSEH COMPRESSOR
CL-13504	5 - V	152 - 6"	24	POLYRIB	66 mm	SOME OFF-ROAD WITH DETROIT AND TECUMSEH COMPRESSOR
CL-13582	1 x A	152 - 6"	12	1411-36	72 mm	INTERNATIONAL - SOME PAYSTAR 5000 AND TRANSTAR WITH DETROIT OR CUMMINS-N, S SERIES 1600-2600 WITH CUMMINS-N. SOME SCOUT II; 5370 WITH NTC & PT270.
CL-13622	2 x A	152 - 6"	12	1411-39	43 mm	KENWORTH K-SERIES (COE)* WITH CAT 1674 & 1694; W SERIES WITH DETROIT 8V-71 & CAT 1674; MACK - SOME WITH DETROIT 1968-1985 SOME WHITE ROAD COMMANDER AND 6000 WITH DETROIT 6-71 SOME INTERNATIONAL TRUCKS. SOME CAT, CASE, INTER, MASSEY, NEW HOLLAND, STEIGER , VERSATILE AND WHITE OFF-ROAD EQUIPMENT.
CL-13632	2 x A	152 - 6"	12	1411-67	43 mm	KENWORTH: SOME K-SERIES/DETROIT (COE)* SOME WITH CAT 3306.
CL-13642	2 x A	152 - 6"	12	1411-18	42 mm	SOME CAT, CASE, INTER, MASSEY, NEW HOLLAND, STEIGER , VERSATILE AND WHITE OFF-ROAD EQUIPMENT.
CL-13664	1 x A	170 - 6.7"	24	1436-41	80 mm	
CL-13692	1 x B	172 - 6.8"	12	1406-49	69 mm	KENWORTH W SERIES - SOME WITH CUMMINS V903 & VT903 MACK F, R, U & DM - SOME WITH CUMMINS V903 & VT903 SOME INTERNATIONAL OFF-ROAD EQUIPMENT
CL-13732	2 x A	178 - 7"	12	1411-41	43 mm	SOME CAT, CASE, INTER TRUCKS, MACK TRUCKS, MASSEY, NEW HOLLAND, STEIGER ,VERSATILE AND WHITE OFF-ROAD.
CL-13762	1 x B	172 - 6.8"	12	1406-43	72 mm	SOME MACK WITH CAT & N-SERIES; SOME VERSATILE
CL-13764	1 x B	172 - 6.8"	24	1436-52	72 mm	
CL-13892	1 x C	172 - 6.8"	12	1411-61	72 mm	MACK FL-FS WITH CUMMINS (W/OUT P/STRG): SOME MASSEY
CL-13922	1 x C	176 - 6.9"	12	1406-41	45 mm	KENWORTH - SOME K-SERIES COE & W-SERIES WITH CUMMINS MACK - SOME F SERIES WITH CUMMINS OR DETROIT; SOME R,U,DM,W,RL & RS SERIES WITH CAT OR CUMMINS.
CL-13952	1 x C	178 - 7"	12		49 mm	KENWORTH K332-25

* (COE): Cab Over Engine

NOTE:

THERE ARE MANY VARIATIONS OF ENGINES AND ACCESSORIES ON TRUCKS AND OFF-ROAD EQUIPMENT, AND THE LIST ABOVE SHOULD BE CONSIDERED AS A GUIDE ONLY. CHECK ALL DIMENSIONS, INCLUDING MOUNTING DISTANCE (GAUGE-LINE) BEFORE ORDERING.



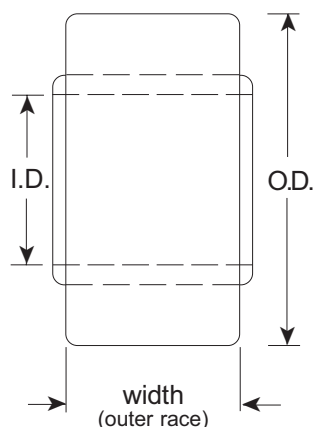
CLUTCH PARTS

QUICK - REFERENCE GUIDE

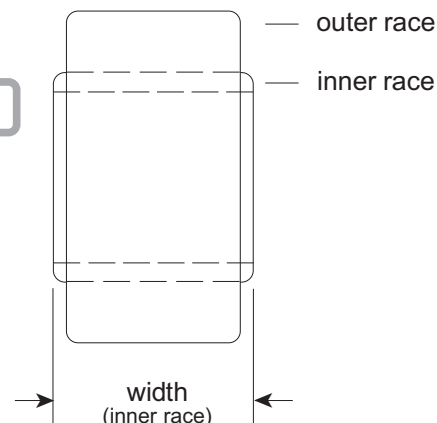
ITEM	PAGE
BEARINGS	27 - 28
CIRCLIPS	28
COILS	29
DUST COVERS	30
PULLEYS	30
DUST SEAL KITS	30
SHOES (HUBS)	31
MISCELLANEOUS SPARES	31

Clutches: Replacement Parts

BEARINGS



Bearing Measurement



Bearing Listing by Measurement

Part No.	Outside Dia. (mm)	Inside Dia. (mm)	Width (mm)	Other Information
CLS-18853	47	30	18 / 21**	Outer race: 18mm wide, Inner race: 21mm wide
CLS-18859	50	35	20	
CLS-18800	52	30	22	
CLS-18802	54	38	17	
CLS-18870	55	30	13	
CLS-18750	55	30	23	
CLS-18856	55	30	23 / 26**	Outer race: 23mm wide, Inner race: 26mm wide
CLS-18798	55	32	23	
CLS-18830	55	35	20	
CLS-18974	56	40	24	
CLS-18808	57	40	20 / 24	Outer race: 20mm wide, Inner race: 24mm wide
CLS-18892	62	30	16	
CLS-18810	62	30	27	
CLS-18780	62	40	20.5	
CLS-18807	62	40	20.5 / 24	Outer race: 20.5mm wide, Inner race: 24mm wide
CLS-18848	62	40	24	
CLS-18799	66	40	24	

** Denotes internal race is notched

Bearing Listing - Numerical

Part No.	Outside Dia. (mm)	Inside Dia. (mm)	Width (mm)	Other Information
CLS-18750	55	30	23	
CLS-18780	62	40	20.5	
CLS-18798	55	32	23	
CLS-18799	66	40	24	
CLS-18800	52	30	22	
CLS-18802	54	38	17	
CLS-18807	62	40	20.5 / 24	Outer race: 20.5mm wide, Inner race: 24mm wide
CLS-18808	57	40	20 / 24	Outer race: 20mm wide, Inner race: 24mm wide
CLS-18810	62	30	27	
CLS-18830	55	35	20	
CLS-18848	62	40	24	
CLS-18853	47	30	18 / 21**	Outer race: 18mm wide, Inner race: 21mm wide
CLS-18856	55	30	23 / 26**	Outer race: 23mm wide, Inner race: 26mm wide
CLS-18859	50	35	20	
CLS-18870	55	30	13	
CLS-18892	62	30	16	
CLS-18974	56	40	24	

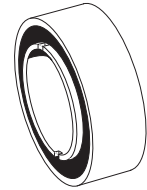
** Denotes internal race is notched

Clutches: Replacement Parts**BEARINGS**

Standard Clutch Bearing
(CLS-18780 Illustrated)



Notched Type Clutch Bearings
(CLS-18853 and CLS-18856 Illustrated)



COMPRESSOR	DETAILS	PART No.	O.D. (mm)	I.D. (mm)	WIDTH (mm)
BEHR / BOSCH	BMW (MOST WITH BEHR COMPRESSORS)	CLS-18750	55	30	23
CLARION	ALL CPW140 MODELS	CLS-18750	55	30	23
CLARION	ALL CRW135 MODELS	CLS-18830	55	35	20
DELCO	ALL A6 AND R4 MODELS (REPLACES OE # 907257)	CLS-18780	62	40	20.5
DELPHI	COMMODORE VT, VX, VY	CLS-18780	62	40	20.5
DIESEL KIKI	ALL DKS-12 AND DKS-15 MODELS	CLS-18830	55	35	20
HALLA	FALCON AU, TRANSIT VG	CLS-18750	55	30	23
HITACHI	SOME ROTARY MJ123 (OE # C2314)	CLS-18848	62	40	24
MATSUSHITA	NL SERIES (SOME HONDA)	CLS-18798	55	32	23
mitsubishi	MAGNA TE, TF	CLS-18799	66	40	24
NIPPON - DENSO	MOST 6P & 10P MODELS	CLS-18848	62	40	24
NIPPON - DENSO	MOST 10PA MODELS	CLS-18800	52	30	22
NIPPON - DENSO	MOST 10P08E MODELS	CLS-18802	54	38	17
NIPPON - DENSO	TV12, TV14 MODELS	CLS-18800	52	30	22
NIPPON - DENSO	SOME	CLS-18808	57	40	20/24
NIPPON - DENSO	SOME 10P MODELS	CLS-18807	62	40	20.5/24
PANASONIC	LASER KF, KH MOST PANASONIC (MATSUSHITA)	CLS-18750	55	30	23
SANDEN	SD507 WITH 125mm CLUTCH, FALCON XE WITH SANDEN	CLS-18848	62	40	24
SANDEN	SD507 WITH LATE (GOLD CLUTCH)	CLS-18830	55	35	20
SANDEN	508/510 H/DUTY SINGLE BEARING (REPLACES STD. TWIN BRGS.)	CLS-18848	62	40	24
SANDEN	SD709 R-12 MODELS	CLS-18830	55	35	20
SANDEN	SD7H13, SD7H15, SD7V16 SERIES	CLS-18830	55	35	20
SANDEN	SDB7 MODELS	CLS-18859	50	35	20
SANDEN	TR70 VL COMMODORE	CLS-18853	47	30	18/21
SANDEN	TR90 XF FALCON	CLS-18856	55	30	23/26
SANDEN	TRF105 EA - EL FALCON	CLS-18859	50	35	20
SANDEN	TRF105 VN - VS COMMODORE V6	CLS-18830	55	35	20
SANDEN	TRS090 SERIES SANDEN MODELS: 3011, 3012, 3013, 3014, 3015, 3016, 3017, 3305, 9860	CLS-18859	50	35	20
SANDEN	TRS090 SERIES SANDEN MODELS: 3020	CLS-18830	55	35	20
SANDEN	TRS105 SERIES SANDEN MODEL: 3212	CLS-18830	55	35	20
SEIKO-SEIKI	ALL 110, 140 AND 170 SERIES WITH 125mm AND 135mm CLUTCH	CLS-18848	62	40	24
SEIKO-SEIKI	ALL 110, 140 AND 170 SERIES WITH 118mm CLUTCH	CLS-18974	56	40	24
YORK	FORD: 6 CYL WITH PITTS 2-GROOVE CLUTCH	CLS-18750	55	30	23
YORK	FORD: 6 CYL WITH PITTS 2-GROOVE CLUTCH, XE FALCON	CLS-18892	62	30	16
YORK	FORD: V8 WITH FLYWHEEL TYPE CLUTCH	CLS-18750	55	30	23
YORK	OGURA MA6A; MA6B EARLY (SET OF TWO)	CLS-18870	55	30	13
YORK	OGURA MA6A; MA6B 1990 ON (SINGLE BEARING)	CLS-18750	55	30	23
YORK	OGURA MA7A; MA7B	CLS-18892	62	30	16
YORK	PITTS HEAVY DUTY CLUTCH (MOST)	CLS-18810	62	30	27
YORK	WARNER 1411 SERIES	CLS-18892	62	30	16
YORK	WARNER 1436 SERIES	CLS-18810	62	30	27

NOTE: CLUTCH BEARINGS ARE SUBJECT TO SEVERE DUST CONDITIONS AND ONLY BEARINGS WITH NITRILE DUST SEALS ARE RECOMMENDED. ALL THE BEARINGS LISTED ABOVE HAVE NITRILE DUST SEALS.

CIRCLIPS

65 mm dia.

CLS-19240

BEARING RETAINING
CIRCLIP, DELCO A-6

42 mm dia.

CLS-19245

COIL RETAINING
CIRCLIP, DELCO A-6

36 mm dia.

CLS-19262

PULLEY RETAINING
CIRCLIP, DELCO A-6

Clutches: Replacement Parts

COILS



DELCO A6 12 VOLT COIL
(NOTE SPADE TERMINALS)



STANDARD COIL
DELCO A6 24 VOLT COIL
(NOTE BULLET TERMINALS)



DELCO R4 12 VOLT COIL
(EARLY TYPE)



OGURA COIL
(MA SERIES CLUTCHES FOR YORK AND TECUMSEH)



SANDEN COIL
SD5 SERIES CLUTCHES



SANDEN COIL
SD7 SERIES CLUTCHES



SANDEN COIL
** SD7H-C SERIES CLUTCHES

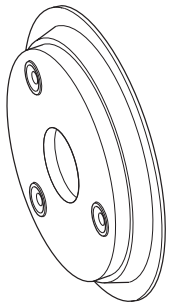


SANDEN COIL
TR105 SERIES CLUTCHES

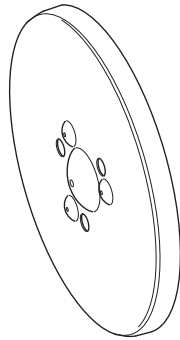
** SD7H-C SERIES COIL SUITS 8000 SERIES COMPRESSORS, AND WILL INTERCHANGE WITH B-SERIES, EXCEPT TWIN WIRE COILS WHICH ARE C-SERIES ONLY.

Nippon Denso and many others are available - please contact our sales department

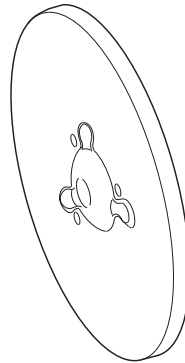
Part No.	Compressor Model	Clutch dia.	Coil Diameter O.D. - I.D.		Volts	New - Recon.	Other Information and OE Part Numbers
CLS-19412	DELCO A-6	ALL SIZES	104 mm	60 mm	12	NEW	SPADE TERMINALS. OE: 15-45
CLS-19424	DELCO A-6	ALL SIZES	104 mm	60 mm	24	NEW	BULLET TERMINALS. OE: 15-4185
CLS-19512	DELCO A-6	ALL SIZES	104 mm	60 mm	12	RECON	SPADE TERMINALS.
CLS-19524	DELCO A-6	ALL SIZES	104 mm	60 mm	24	RECON	BULLET TERMINALS.
CLS-19612	DELCO R-4 (early)	ALL	118 mm	74 mm	12	NEW	
CLS-19642	DELCO R-4 (late)	ALL	134 mm	93 mm	12	NEW	SUITS CO-19834
CLS-19912	OGURA	152 mm	115 mm	67 mm	12	NEW	FITS ALL MA6A, MA6B 12 VOLT
CLS-19924	OGURA	152 mm	115 mm	67 mm	24	NEW	FITS ALL MA6A, MA6B 24 VOLT
CLS-19972	OGURA	178 mm	141 mm	77 mm	12	NEW	FITS ALL MA7A, MA7B 12 VOLT
CLS-19984	OGURA	178 mm	141 mm	77 mm	24	NEW	FITS ALL MA7A, MA7B 24 VOLT
CLS-20502	SANDEN SD505 & 507	125 mm	95 mm	63 mm	12	NEW	SANDEN 8543-6341
CLS-20512	SANDEN SD508; some 510	132 mm	103 mm	72 mm	12	NEW	SANDEN 8517-6043
CLS-20524	SANDEN SD508; some 510	132 mm	103 mm	72 mm	24	NEW	SANDEN 8527-6041
CLS-20612	SANDEN SD508	152 mm	116 mm	74 mm	12	NEW	SANDEN 8518-6041
CLS-20624	SANDEN SD508	152 mm	116 mm	74 mm	24	NEW	SANDEN 8514-6043
CLS-20630	SANDEN SD7H	132 mm	96 mm	64 mm	12	NEW	SANDEN 0542-6040
CLS-20634	SANDEN SD7H	132 mm	96 mm	64 mm	24	NEW	SANDEN 0525-6340
CLS-20636	SANDEN SD7H-C	132 mm	96 mm	64 mm	12	NEW	SANDEN 0704-6240 twin-wire, bullet
CLS-20637	SANDEN SD7H-C	132 mm	96 mm	64 mm	24	NEW	SANDEN 0798-6040 twin-wire, bullet
CLS-20638	SANDEN SD7H-C	140 mm	96 mm	64 mm	12	NEW	SANDEN 0725-6040 twin-wire, spade
CLS-20642	SANDEN SD510	152 mm	116 mm	74 mm	12	NEW	SANDEN 9304-6040 can use CLS-20612
CLS-20644	SANDEN SD510	152 mm	116 mm	74 mm	24	NEW	SANDEN 9304-6340 can use CLS-20624
CLS-20646	SANDEN SD510	132 mm	108 mm	72 mm	12	NEW	SANDEN 9313-6040
CLS-20647	SANDEN SD510	132 mm	108 mm	72 mm	24	NEW	SANDEN 9313-6240
CLS-20660	SANDEN TR90	92 mm	108 mm	64 mm	12	NEW	FALCON XF
CLS-20665	SANDEN TR105	103 mm	90 mm	63 mm	12	NEW	SANDEN 9495 6140 VN C/DORE
CLS-20669	SANDEN TR105	95 mm	82 mm	57 mm	12	NEW	SANDEN 9447 6140 EA FALCON
CLS-20671	SANDEN TRS105	95 mm	82 mm	57 mm	12	NEW	FALCON EB - ED 6 CYL
CLS-20673	SANDEN TRS105	103 mm	90 mm	63 mm	12	NEW	FALCON EB - EF V8
CLS-20675	SANDEN TRS105	95 mm	81 mm	58 mm	12	NEW	FALCON EF 6 CYL
CLS-20684	SANDEN TRS105	103 mm	90 mm	63 mm	12	NEW	COMMODORE VR-VS V6 (use CLS-20665)
CLS-20685	SANDEN TRS105	92 mm	108 mm	64 mm	12	NEW	COMMODORE VR-VS V8

Clutches: Replacement Parts**DUST COVERS**

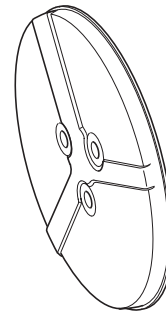
CLS-20740
CLUTCH DUST COVER
DELCO A-6
REPLACES OE 9956548



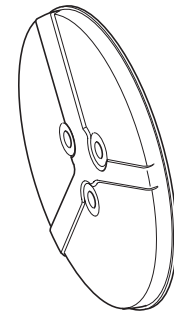
CLS-20750
CLUTCH DUST COVER
SANDEN SD5: 132mm



CLS-20755
CLUTCH DUST COVER
SANDEN SD5: 152mm



CLS-20777
CLUTCH DUST COVER
SANDEN SD7: 132mm
KEYED SHAFT
BOLT HOLES: 31mm
CENTRE TO CENTRE



CLS-20794
CLUTCH DUST COVER
SANDEN SD7HC:132mm
SPLINED SHAFT
SUITS CLS-24360
BOLT HOLES: 27mm
CENTRE TO CENTRE

NOTE: DUST COVERS CANNOT BE FITTED TO SANDEN RUBBER ARMATURES

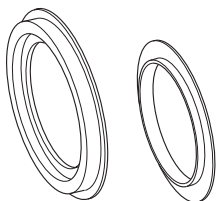
PULLEYS

DELCO A-6
SINGLE GROOVE PULLEY



DELCO A-6
DOUBLE GROOVE PULLEY

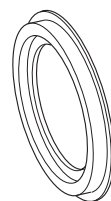
PART No.	COMPRESSOR MODEL	PULLEY DIA.	PULLEY GROOVES	NEW - RECON.	APPLICATION - OTHER INFORMATION
CLS-22003	DELCO A-6	127 mm	(5") 2 x 3/8"	RECON.	TAKES 10A SERIES BELT
CLS-22004	DELCO A-6	127 mm	(5") 1 x A	NEW.	REPLACES DELCO 5914730
CLS-22005	DELCO A-6	127 mm	(5") 1 x A	RECON.	
CLS-22022	DELCO A-6	140 mm	(5.5") 6 - V	NEW	
CLS-22045	DELCO A-6	147 mm	(5.7") 1 x A	NEW	REPLACES DELCO 9956554
CLS-22060	DELCO A-6	147 mm	(5.7") 1 x A	RECON.	
CLS-22068	DELCO A-6	178 mm	(6.87") 1 x A	NEW	REPLACES DELCO 9956544
CLS-22070	DELCO A-6	178 mm	(6.87") 1 x A	RECON.	

DUST SEALS

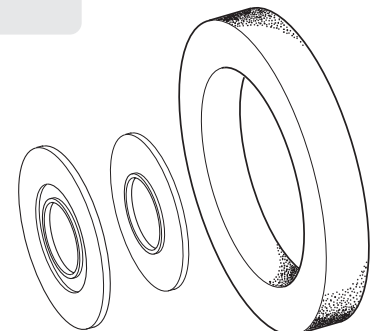
CLS-22640
DELCO CLUTCH BEARING DUST SEAL KIT. SUITS DELCO A-6 (REPLACES OE # 9956547, 15-2133)



CLS-22645
CLUTCH COIL DUST SEAL SUITS DELCO A-6 (REPLACES OE # 6556674)



CLS-22662
CLUTCH BEARING DUST SEAL SANDEN SD7H 'C' SERIES



CLS-22680
CLUTCH DUST SEAL KIT YORK AND TECUMSEH

Clutches: Replacement Parts

SHOES (HUBS)

DELCO (GM)



DELCO STANDARD HUB (30mm)
 CLS-23750: NEW
 CLS-23775: RECON



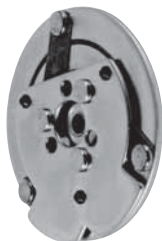
DELCO LONG HUB (42mm)
 CLS-23846: NEW
 CLS-23850: RECON

PART No.	COMPRESSOR MODEL	PULLEY TYPE	NEW - RECON.	OTHER INFORMATION
CLS-23750	DELCO A-6	SINGLE GROOVE	NEW	FITS MOST A-6 SINGLE GROOVE CLUTCHES
CLS-23775	DELCO A-6	SINGLE GROOVE	RECON.	FITS MOST A-6 SINGLE GROOVE CLUTCHES
CLS-23846	DELCO A-6	DOUBLE GROOVE	NEW.	FITS MOST A-6 DOUBLE GROOVE CLUTCHES
CLS-23850	DELCO A-6	DOUBLE GROOVE	RECON.	FITS MOST A-6 DOUBLE GROOVE CLUTCHES

SANDEN



CLS-24300



CLS-24304



CLS-24355, CLS-24360



CLS-24362

PART No.	COMPRESSOR MODEL	SANDEN CODE	OTHER INFORMATION / OE REFERENCE
CLS-24300	TR90	A6W	FORD FALCON XF OE: 9345-6032
CLS-24302	TRS105 (not illustrated)	A8R	FORD FALCON EA NUT TYPE OE: 0077-6030
CLS-24303	TRS105 (not illustrated)	A7U	FORD FALCON EA BOLT TYPE OE: 9447-6030
CLS-24304	TRS105	AAB	FORD FALCON EF 6 CYL. OE: 0295-6030
CLS-24305	TRS105 (not illustrated)	AAA	FORD FALCON EB - ED 6 CYL. OE: 0294-6030
CLS-24306	TRS105 (not illustrated)	A6F	FORD FALCON EB - EF 8 CYL. OE: 0293-6030
CLS-24315	TRS105 (not illustrated)	A3V	HOLDEN COMMODORE VR - VS 6 CYL. OE: 9495-6330
CLS-24317	TRS105 (not illustrated)	A8F	HOLDEN COMMODORE VR - VS 8 CYL. OE: 9496-6030
CLS-24355	SD7H15 B SERIES	A2Y	KEYED SHAFT SPRING TYPE OE: 0501-6030
CLS-24360	SD7H15 C SERIES	ABJ	SPLINED SHAFT SPRING TYPE OE: 0726-6030
CLS-24362	SD7H15 C SERIES	ABC	SPLINED SHAFT RUBBER DAMPER TYPE OE: 0689-6030

MISCELLANEOUS



CLS-21500
 DELCO CLUTCH SHOE RETAINING NUT
 SUITS DELCO A-6



CLS-24400
 DELCO CLUTCH SHOE SPACER
 SUITS DELCO A-6