

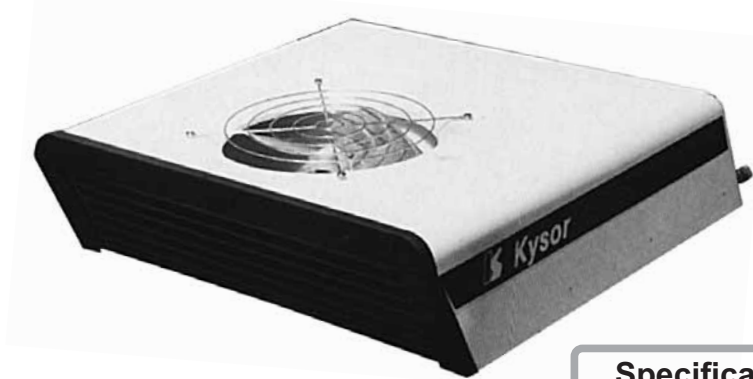
# ROOFTOP UNITS

## QUICK - REFERENCE GUIDE

ITEM	DETAILS	PAGE
<b>ROOFTOP UNITS - COOLING ONLY</b>		
- KYSOR	.....	341
- RED DOT R6100	.....	341
- RED DOT R9727	.....	342
- RED DOT R9777	.....	344
<b>ROOFTOP UNITS WITH HEATER</b>		
- RED DOT R9757	.....	343
- RED DOT R9777	.....	344

**Rooftop Assemblies**

**KYSOR ROOFTOP UNIT**



**Specifications**

**MODEL KA300**

**RO-98512** 12 volt  
**RO-98524** 24 volt

UNIT TYPE:	RECIRCULATED COOLING
MODEL:	KA300
CAPACITY:	16,400 BTU / hr
AIRFLOW:	416 m <sup>3</sup> /hr (245 cfm)
FRESH AIR FILTER:	N-A, RECIRCULATING ONLY.
CURRENT DRAW:	25 AMPS AT 12 VOLTS 12.5 AMPS AT 24 VOLTS
WIDTH:	625 mm
DEPTH:	597 mm
HEIGHT:	186 mm
WEIGHT:	20.5 kgs

**RED DOT ROOFTOP UNITS**

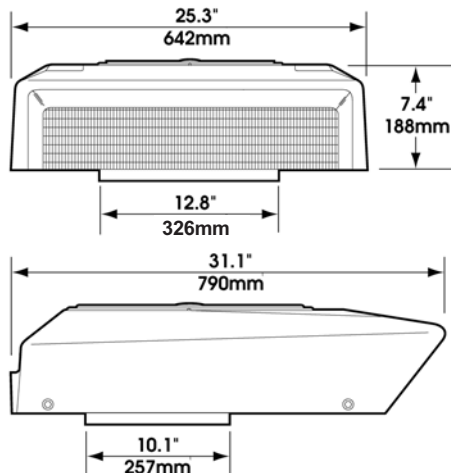


View of Plenum Chamber

**MODEL R6100**

(REPLACES R6000 R12 MODEL)

**RO-98612** 12 volt  
**RO-98624** 24 volt



**Specifications**

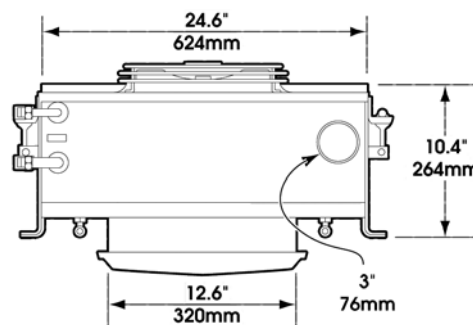
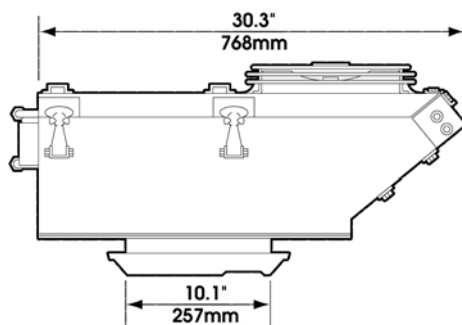
TYPE:	RECIRCULATED COOLING
CAPACITY:	16,000 BTU'S / HOUR
AIRFLOW:	450 m <sup>3</sup> /hr (265 cfm)
CURRENT DRAW:	19 AMPS AT 13.6 VOLTS 10.5 AMPS AT 27.2 VOLTS
WEIGHT:	20 kgs
FRESH AIR FILTER:	N-A, RECIRCULATING ONLY
SAFETY CUT-OUT:	HP-LP SWITCH INCLUDED

**Rooftop Assemblies****RED DOT ROOFTOP UNITS****MODEL R9727****HEAVY DUTY ROOFTOP UNIT**

<b>RO-98702</b>	Basic Rooftop Unit	<b>12 v</b>
<b>RO-98704</b>	Basic Rooftop Unit	<b>24 v</b>
<b>RO-98732</b>	includes Filter and Power Pressurizer	<b>12 v</b>
<b>RO-98734</b>	includes Filter and Power Pressurizer	<b>24 v</b>
<b>EVP-98712</b>	Evaporator Pressurizer Unit	<b>12 v</b>
<b>EVP-98724</b>	Evaporator Pressurizer Unit	<b>24 v</b>
<b>FI-70500</b>	Fresh Air Filter Assembly	

**View of Plenum Chamber****Specifications**

TYPE:	PARTIAL FRESH AIR COOLING
CAPACITY:	22,000 BTU'S/HOUR
AIRFLOW:	543 m <sup>3</sup> /hr (320 cfm)
CURRENT DRAW:	25 AMPS AT 12V: 13 AMPS AT 24 V
SAFETY CUT-OUT:	HP-LP SWITCH INCLUDED
WEIGHT:	47 kgs (UNIT ONLY)

**Optional Filter & Pressurizer****SUITS:**

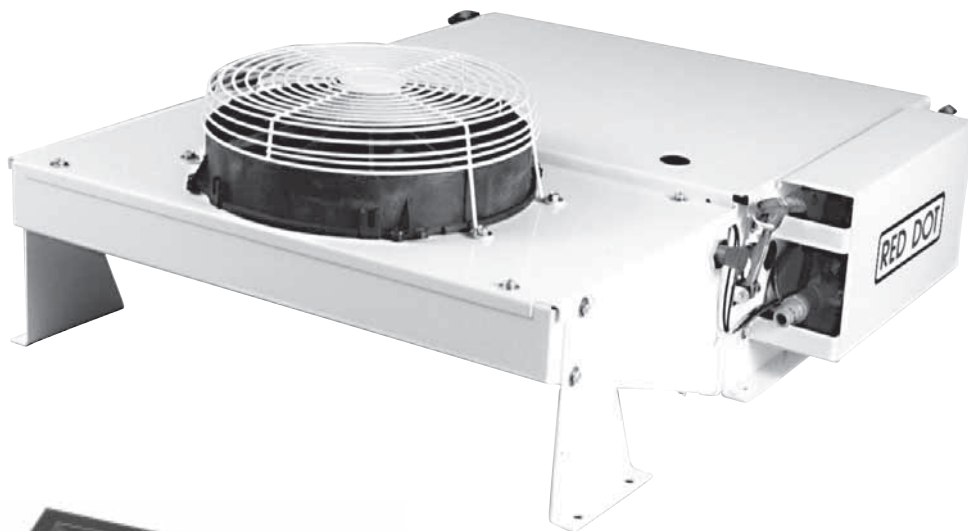
<b>RO-98702 / RO-98724</b>	<b>RED DOT R9727</b>
<b>RO-98812 / RO-98824</b>	<b>RED DOT R9757</b>
<b>RO-98842 / RO-98844</b>	<b>RED DOT R9777</b>



**NOTE:**  
FLEXIBLE AIR DUCT FOR REMOTE MOUNTING OF OPTIONAL FILTER OR PRESSURIZER IS NOT INCLUDED.

**Rooftop Assemblies**

**RED DOT ROOFTOP UNITS**



View of Plenum Chamber

**MODEL R9757**

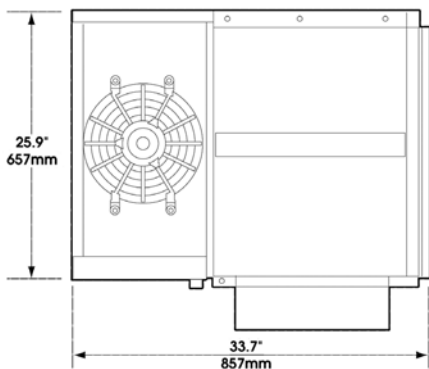
- RO-98812 12 volt**
- RO-98824 24 volt**

**FEATURES:**

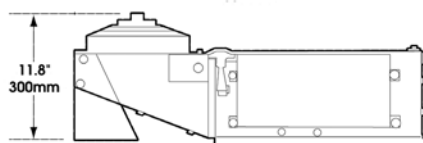
- **DETACHABLE CONDENSER WHICH CAN BE REMOTE-MOUNTED .**
- **OPTIONAL FILTER / PRESSURIZER CAN BE USED WITH THIS MODEL .**  
(see illustration on opposite page)

**R9757 Specifications**

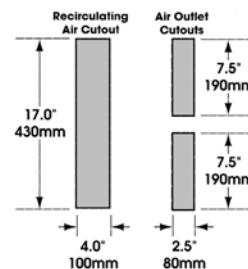
<p>UNIT TYPE CAPACITY</p> <p>AIRFLOW: CONDENSER: FILTER: CURRENT DRAW: WEIGHT: SAFETY CUT-OUT:</p>	<p>COMBINATION AIR CONDITIONER AND HEATER WITH PARTIAL FRESH AIR. 25,000 BTU/hr COOLING 45,000 BTU/hr HEATING AT 100° F.</p> <p>680 m<sup>3</sup>/hr (400 cfm) DETACHABLE - CAN BE REMOTE MOUNTED PANEL TYPE (OPTIONAL - ORDER PART NUMBER FI-70537) 35 AMPS AT 12 V: 17.5 AMPS AT 24 V 61 kgs HP-LP SWITCH INCLUDED</p>
--	--



plan view



side elevation



cut-out dimensions

**Rooftop Assemblies and Spares****RED DOT ROOFTOP UNITS****MODEL R9777**

View of Plenum Chamber

**WITH HEATER**

**RO-98842** 12 volt  
**RO-98844** 24 volt

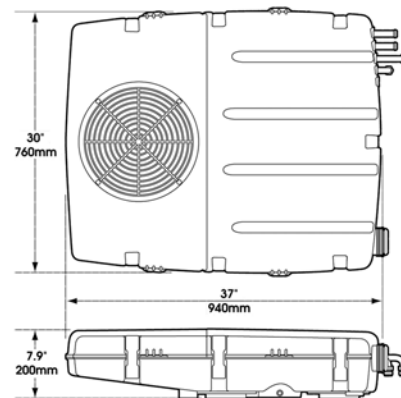
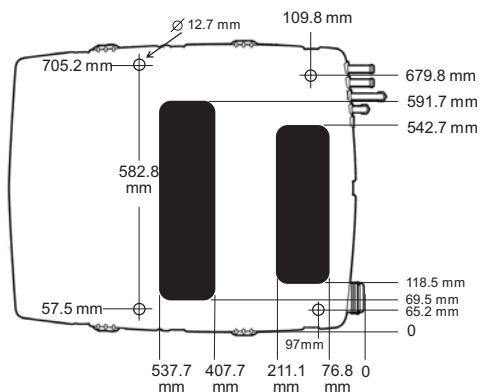
**WITHOUT HEATER**

**RO-98852** 12 volt  
**RO-98854** 24 volt

- **OPTIONAL FILTER / PRESSURIZER CAN BE ATTACHED TO THIS MODEL .**  
 (see illustration at the foot of page 342 )

**Specifications**

**TYPE:** COMBINATION AIR CONDITIONER AND HEATER WITH PARTIAL FRESH AIR.  
**CAPACITY**  
 - COOLING : 25,000 BTU's / HOUR  
 - HEATING : 45,000 BTU's / hr AT 100° F.  
**AIRFLOW:** 580 m<sup>3</sup>/hr (355 cfm)  
**FILTER :** OPTIONAL - ORDER PART No. FI-70500  
**CURRENT DRAW :** 35 AMPS AT 12V: 17.5 AMPS AT 24 V  
**WEIGHT :** 29.5 kgs  
**SAFETY CUT-OUT :** HP-LP SWITCH INCLUDED



\* MEASUREMENTS ARE TAKEN FROM 0 (zero) POINTS

**Rooftop Spares****UNIVERSAL ROOFTOP SEAL****ROS-99650**

UNIVERSAL ROOFTOP TO ROOF CLOSED CELL FOAM SEALING STRIP  
 (APPROX. 1.8 METRES).

SUPPLIED AS A STRIP AND CAN BE TRIMMED TO LENGTH TO SUIT  
 MOST ROOFTOP UNITS.

